

# Fold-a-Float<sup>®</sup>

Self-Deploying Segmented Float



AQUA-AEROBIC SYSTEMS, INC.  
A Metawater Company

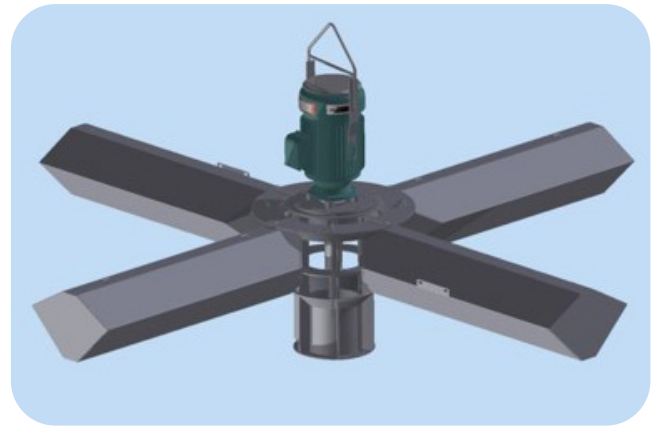
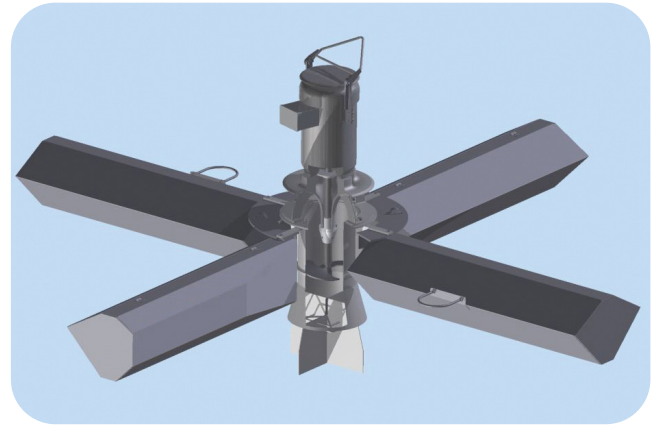
# Fold-a-Float®

## Self-Deploying Segmented Float

The Fold-a-Float® self-deploying segmented float technology is a unique, space saving float that can replace conventional floats on the Aqua-Aerobic Aqua-Jet® 3-15HP surface aerator and the 3-20HP AquaDDM Mixer®. It is ideal for applications with limited access especially for Trihalomethane (THM) removal in potable water.

## Features and Advantages

- Aqua-Jet aerators 3-15HP
- AquaDDM mixers 3-20HP
- 304 or 316 stainless steel
- Roto-molded available only for Aqua-Jet aerators
- The Fold-a-Float for AquaDDM mixers re-entrain surface foam/solids into suspension
- Replaces conventional round floats
- Ideal for limited hatch access
- Compact cylindrical arrangement for easy shipping, storage and installation



## Installation of the Fold-a-Float®

The float unfolds as it meets the surface of the water and ready for the power section to be installed.



The segmented Fold-a-Float is compact and ideal for applications that require limited hatch access.



The Fold-a-Float begins to self-deploy as it meets the surface of the water.



The Fold-a-Float in full-deployment.

[View our Fold-a-Float® Installation Video >](#)



**AQUA-AEROBIC SYSTEMS, INC.**  
A Metawater Company

[www.aqua-aerobic.com](http://www.aqua-aerobic.com)

6306 N. Alpine Road, Loves Park, IL 61111-7655  
p 815.654.2501 | f 815.654.2508 | [solutions@aquaaerobic.com](mailto:solutions@aquaaerobic.com)

The information contained herein relative to data, dimensions and recommendations as to size, power and assembly are for purpose of estimation only. These values should not be assumed to be universally applicable to specific design problems. Particular designs, installations and plants may call for specific requirements. Consult Aqua-Aerobic Systems, Inc. for exact recommendations or specific needs. Patents Apply.